

CHECK CONDITION OF SHIPMENT

Upon receipt of this kit, check the condition of the packaging. Damage to the package should be noted on the carrier's freight receipt. Any damage claims as a result of shipping must be handled through the shipper. Travis Industries will provide assistance in resolving shipping claims or replacing items not included in the package. Please report any missing items immediately.

COMPATIBILITY

- Avanti Pellet Stove or Insert
- Heritage Bay Pellet Stove or Insert

ITEMS NEEDED FOR ASSEMBLY

- Phillips Screwdriver
- 1/4", 5/16", and 11/32" Nutdriver or Socket Wrench

PACKING LIST

- Replacement Igniter

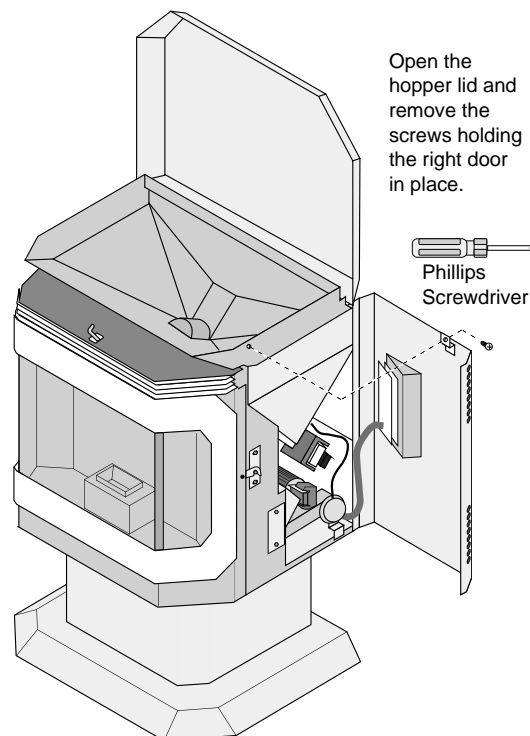
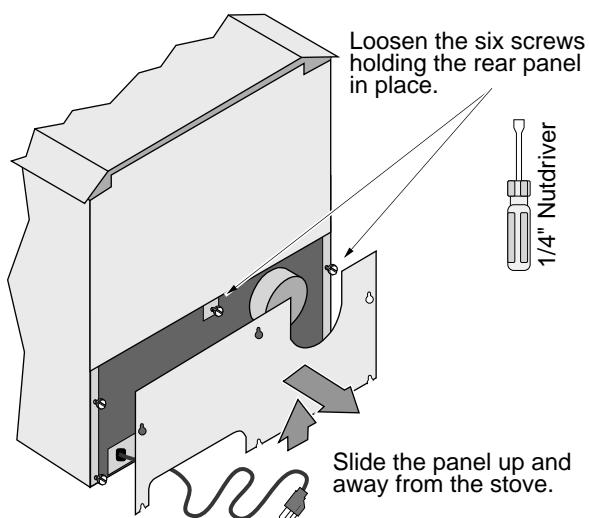
INSTALLATION INSTRUCTIONS

Follow the instructions below to replace the igniter.

Warning: Disconnect the power cord and allow the heater to cool prior to conducting service.

Stoves:

- 1 Open the right side panel (see the directions to the right).
- 2 Remove the rear access panel.



Inserts:

- 1 Disconnect the pellet vent and pull the insert out of the fireplace enough to access the rear of the insert.

All Models:

- 1 Remove the blower following the directions below.

Disconnect the two wires leading to the convection blower.



Remove the two nuts holding the right side of the blower mount.



11/32" Nutdriver



Remove the stud bracket




Thread the blower out of the heater. You will need to rotate the blower slightly.

NOTE: Be careful not to damage wiring.



- 2 Remove the igniter following the directions below.

Remove this screw  5/16" Nutdriver



Remove the igniter



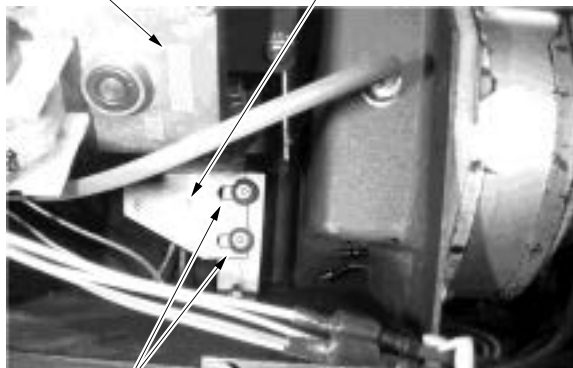
Disconnect the two wires leading to the igniter



- 3 Place the new igniter in place and attach it using the screw removed in step 2.
- 4 Re-install the blower, following the instructions in step 1 in reverse order. Be careful to not snag or damage wiring while installing.

View from Rear of Heater

Auger Motor Blower Mounting Plate



When replacing the blower, make sure the slots on the blower mounting plates slide into the groove on the rubber grommets.

Side View of Blower Mounting

