



Linear Fireplace CoolSmart TV

(42PB - sku# 98900774)(54PB - sku# 98900775)(72PB & 6015 HO - sku# 98900776)

Compatibility

- 42PB – sku# 98900774
- 54PB – sku# 98900775
- 72PB – sku# 98900776
- 6015 HO Linear Fireplaces (sn# 3214-006940 or later)

Packing List

- Convection Manifold (with grill and mounting brackets pre-attached)
- 5" Diameter Aluminum Flex Ducts (4) 42PB & 54PB, (6) 72PB & 6015HO
- Starter Collars – (4) 42PB & 54PB, (6) 72PB & 6015HO
- Self-Drilling Tek Screws – (24) 42PB & 54PB, (36) 72PB & 6015HO

Table of Contents

Compatibility	1
Packing List	1
Overview – ProBuilder Fireplaces (42PB, 54PB, 72PB)	2
Installation Requirements	3
Framing the Chase	4
Mantel Clearances Using CoolSmart Kit (ProBuilder Only)	5
Fireplace Preparation– ProBuilder	7
Overview – 6015 HO Linear	9
Installation Requirements – 6015 HO Linear	10
Combustible “Over-Facing” (Optional) – 6015 HO Linear ONLY	11
Flush Facing Header Configuration and Facing – 6015HO Linear	12
Framing the Chase - 6015 HO Linear	13
Mantel Clearances 6015 HO CoolSmart TV	14
Fireplace Preparation– 6015 HO Linear	15
CoolSmart TV Kit Installation (ProBuiler & 6015HO)	18



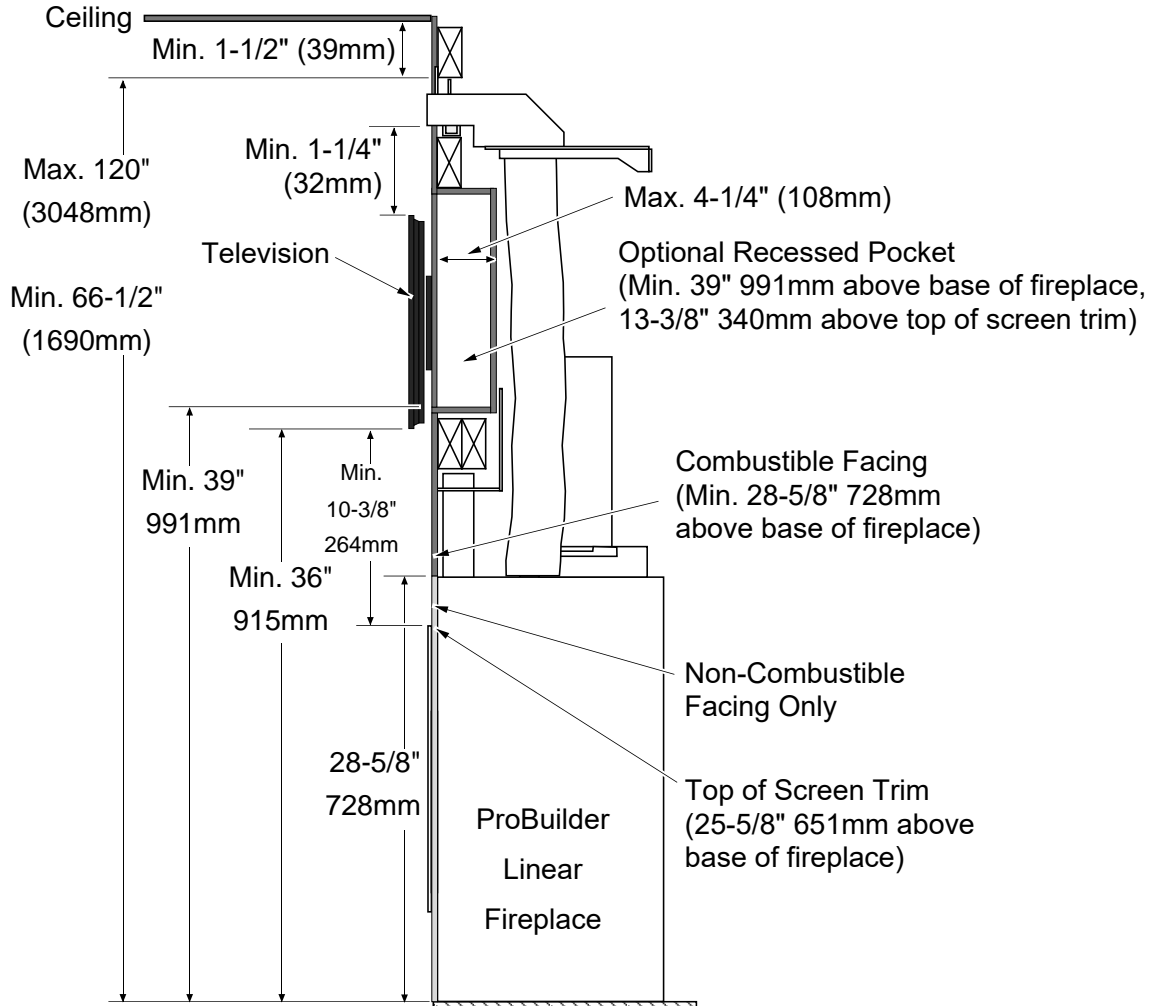
Linear Fireplace CoolSmart TV

(42PB - sku# 98900774)(54PB - sku# 98900775)(72PB & 6015 HO - sku# 98900776)

Overview – ProBuilder Fireplaces (42PB, 54PB, 72PB)

The CoolSmart system is designed to redirect the convective heat of the ProBuilder fireplaces from the front of the unit, just above the glass, to a location higher on the wall. The use of this kit allows for reduced clearance to combustibles and accommodates TV installations closer to the fireplace or in recessed cavities above the fireplace.

When using this kit, disregard the framing dimensions in the manual and follow the framing instructions shown on page 3. In addition, the non-combustible facing height is reduced above the fireplace (see illustration below). All other installation requirements for the fireplace must be followed as detailed in the appliance installation manual.

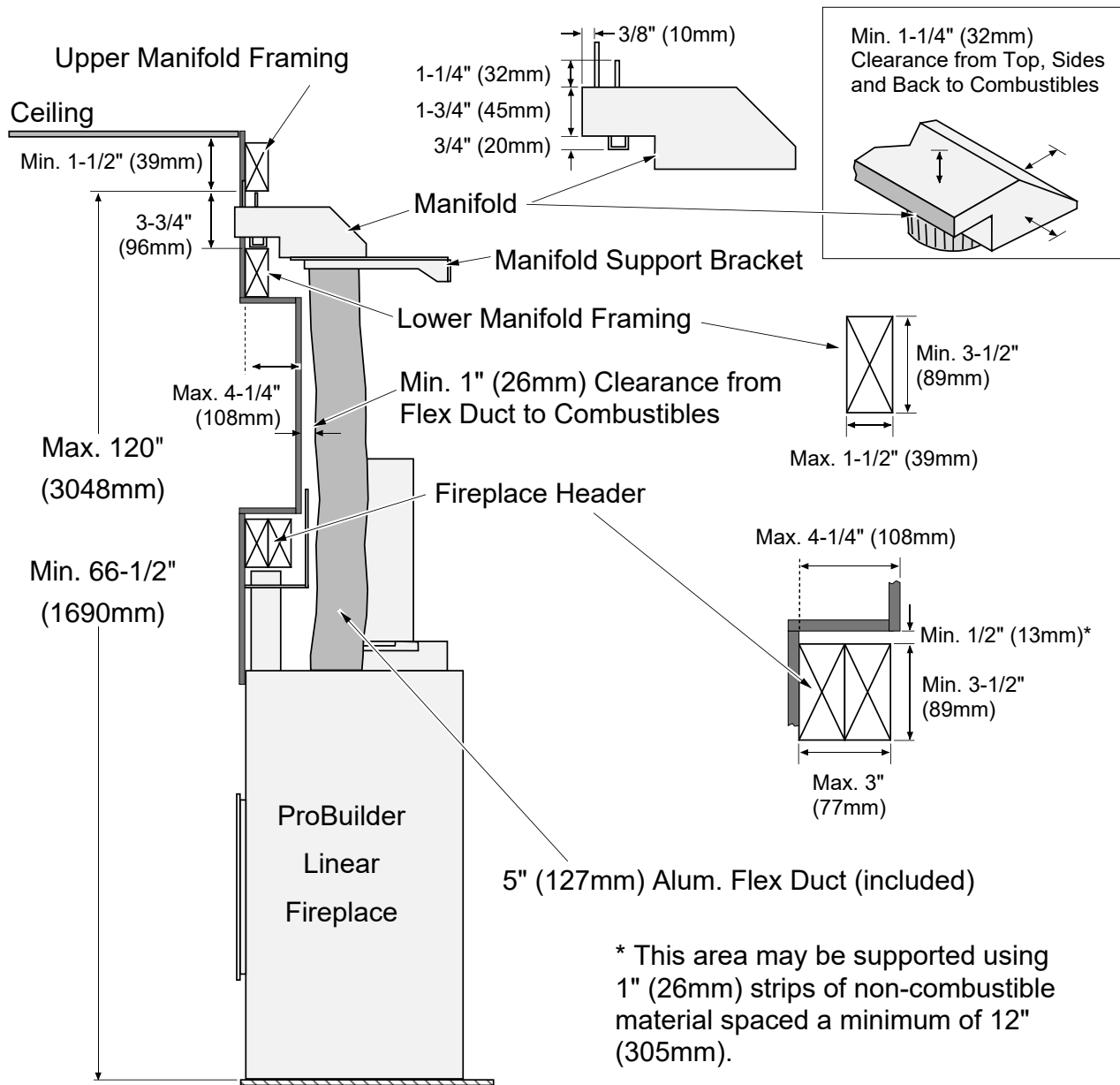




Linear Fireplace CoolSmart TV

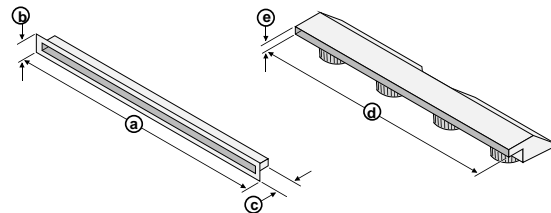
(42PB - sku# 98900774)(54PB - sku# 98900775)(72PB & 6015 HO - sku# 98900776)

Installation Requirements



Grill and Manifold Dimensions

The grill may be installed over the facing to provide an aesthetic opening for the convection outlet. (2) 8-32 x 1-1/2" screws attach the trim to the upper manifold. This allows variable thickness of finish material.



Dimensions

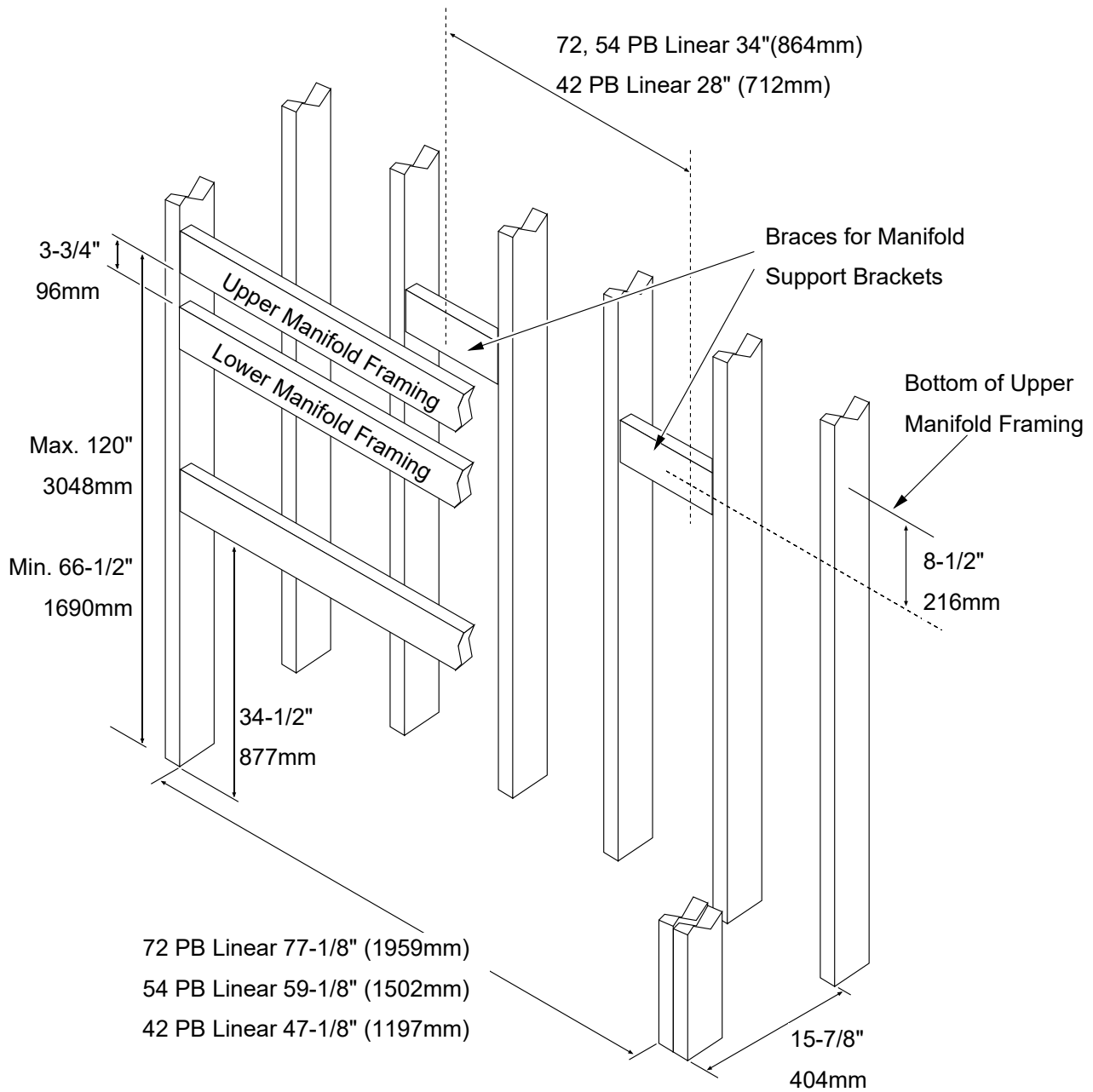
	a	b	c	d	e
PB 42	45" (1143mm)	2-7/8" (74mm)	1-1/4" (32mm)	44" (1118mm)	1-3/4" (45mm)
PB 54	57" (1448mm)	2-7/8" (74mm)	1-1/4" (32mm)	56" (1423mm)	1-3/4" (45mm)
PB 72	75" (1905mm)	2-7/8" (74mm)	1-1/4" (32mm)	74" (1880mm)	1-3/4" (45mm)



Linear Fireplace CoolSmart TV

(42PB - sku# 98900774)(54PB - sku# 98900775)(72PB & 6015 HO - sku# 98900776)

Framing the Chase



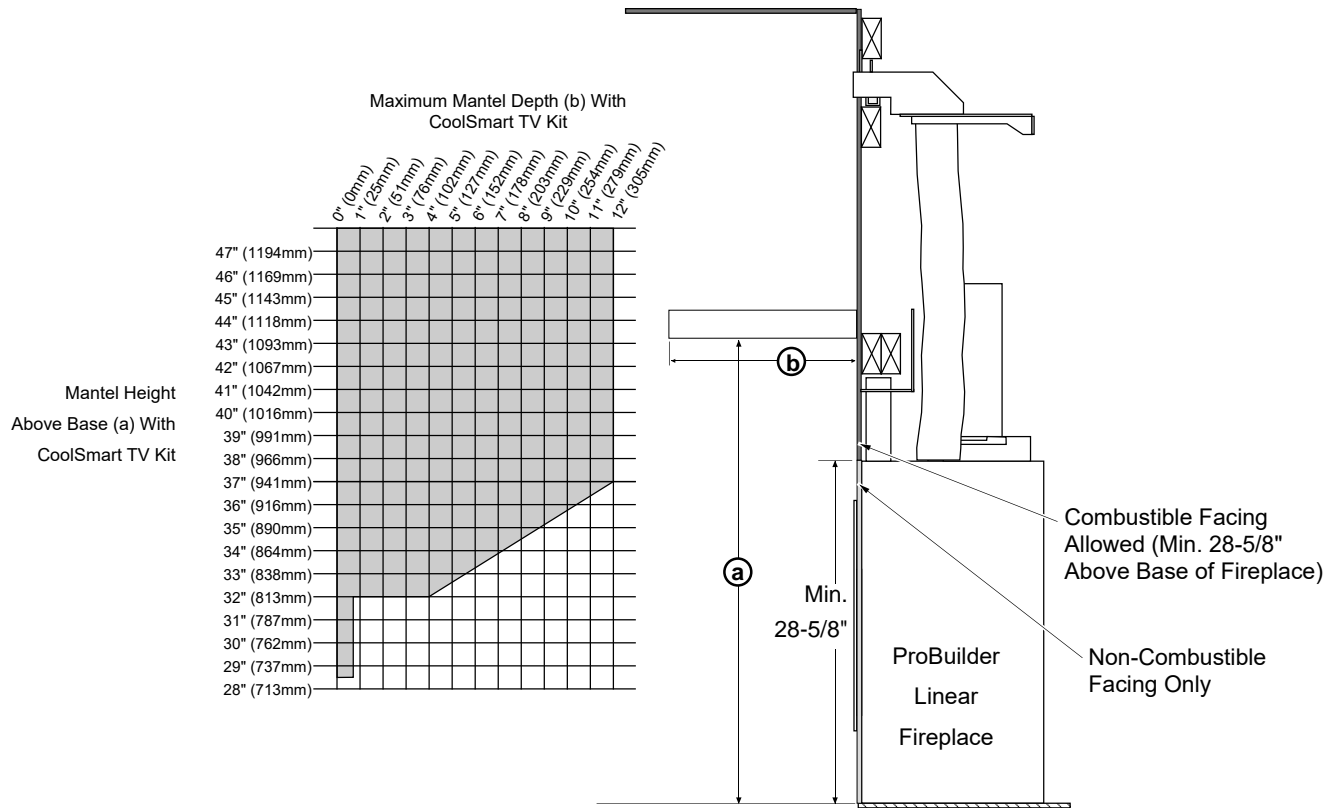


Linear Fireplace CoolSmart TV

(42PB - sku# 98900774)(54PB - sku# 98900775)(72PB & 6015 HO - sku# 98900776)

Mantel Clearances Using CoolSmart Kit (ProBuilder Only)

When using the CoolSmart Kit the mantel clearances are revised (see illustration below). The mantel clearances in the manual may be disregarded when using this kit.



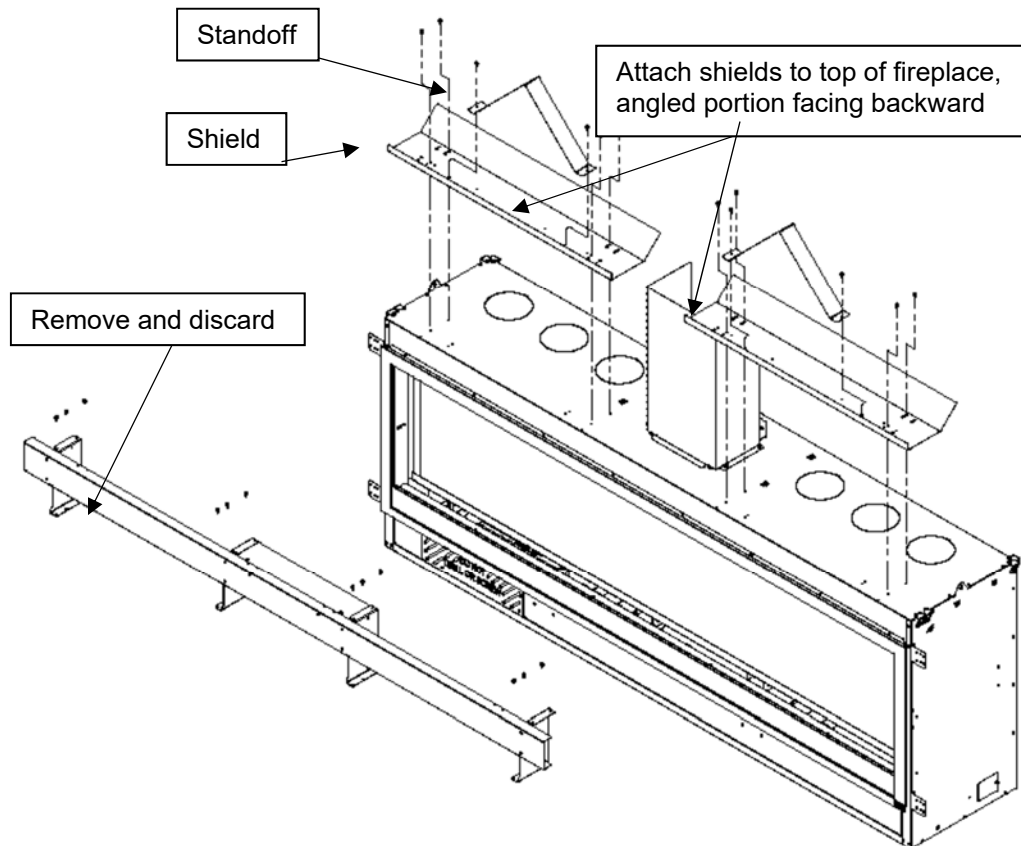


Linear Fireplace CoolSmart TV

(42PB - sku# 98900774)(54PB - sku# 98900775)(72PB & 6015 HO - sku# 98900776)

72 ProBuilder Only – Fireplace Preparation

1. Prepare the fireplace for installation into the framing by removing the two shields from the top of the header standoff assembly. Remove the standoffs from the shields. Set the shields, standoffs and fasteners aside for reinstallation.
2. Remove the header standoff assembly from the top of the fireplace by removing the (12) ¼" screws securing it to the unit. Discard the assembly.
3. Install the two shields directly to the top of the fireplace. The upward slanted portion of the shield faces the back of the fireplace.



4. Bend up the "V" shaped standoffs and attach them to the top of the shields

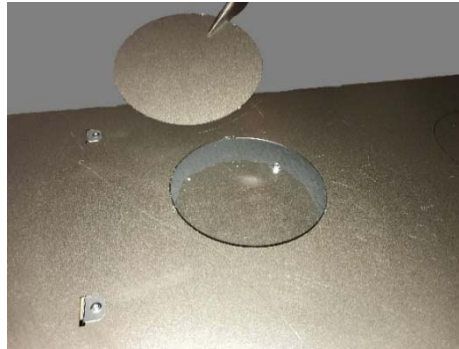


Fireplace Preparation– ProBuilder

- 1 Use snips or diagonal cutters to snip the tab on the knockouts. Press on the far side away from the tap to pop the edge of the knockout up.



- 2 Grab on to the knockout with pliers and bend it back and forth until the remaining tabs break free. Discard the knock out plate.



- 3 Under each knock out plate, you will find a cover plate held in place with (2) 1/4" screws. Use a nut driver or drill with an extension to remove the (2) screws. Reach in and remove the cover plate. You may discard the plates.

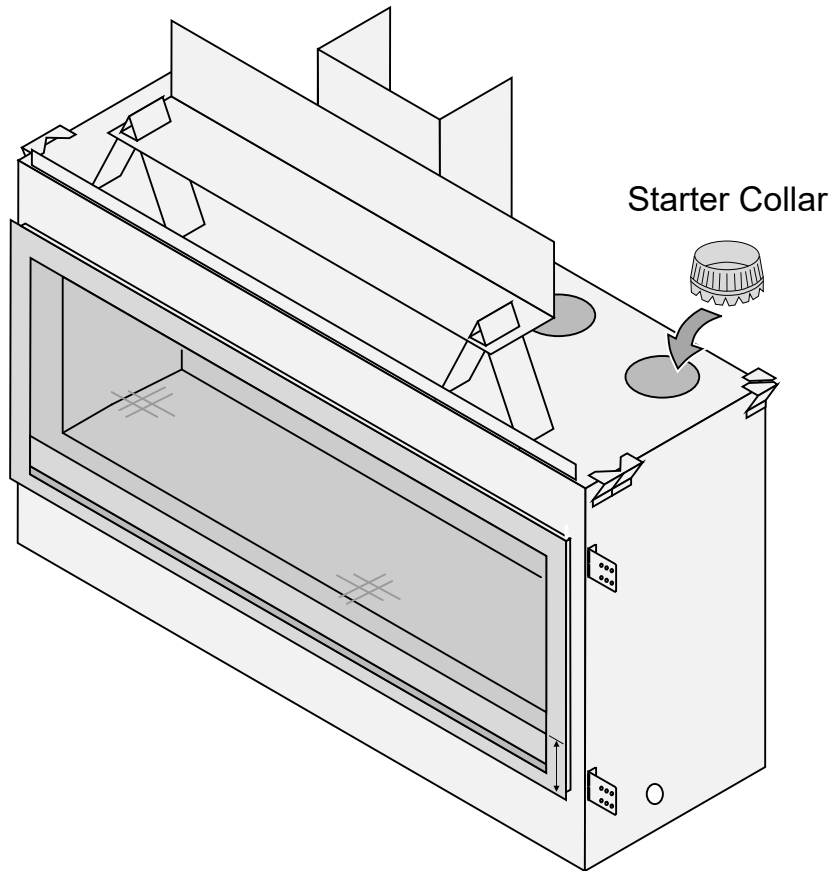




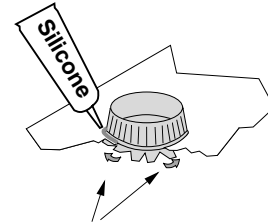
Linear Fireplace CoolSmart TV

(42PB - sku# 98900774)(54PB - sku# 98900775)(72PB & 6015 HO - sku# 98900776)

- 4 Insert a starter collar into each of the (6) holes that were uncovered in the previous step and bend the tabs to secure the starter collar to the fireplace.. Seal the joints with silicone caulk or aluminum (U.L. 181A-P) tape



Use silicone to seal the starter collar to the top of the fireplace.



Bend the tabs on the bottom of the starter collar up to lock it in place.

- 5 Install the fireplace into the framed chase. See section "Installation" in the manual.

NOTE: With the use of this kit, the clearance to combustible material may be reduced. Combustible material may be installed to the top of the fireplace box. Non-combustible is still required on all front surfaces of the fireplace box.

Continue to "CoolSmart TV Kit Installation" section on PAGE 18



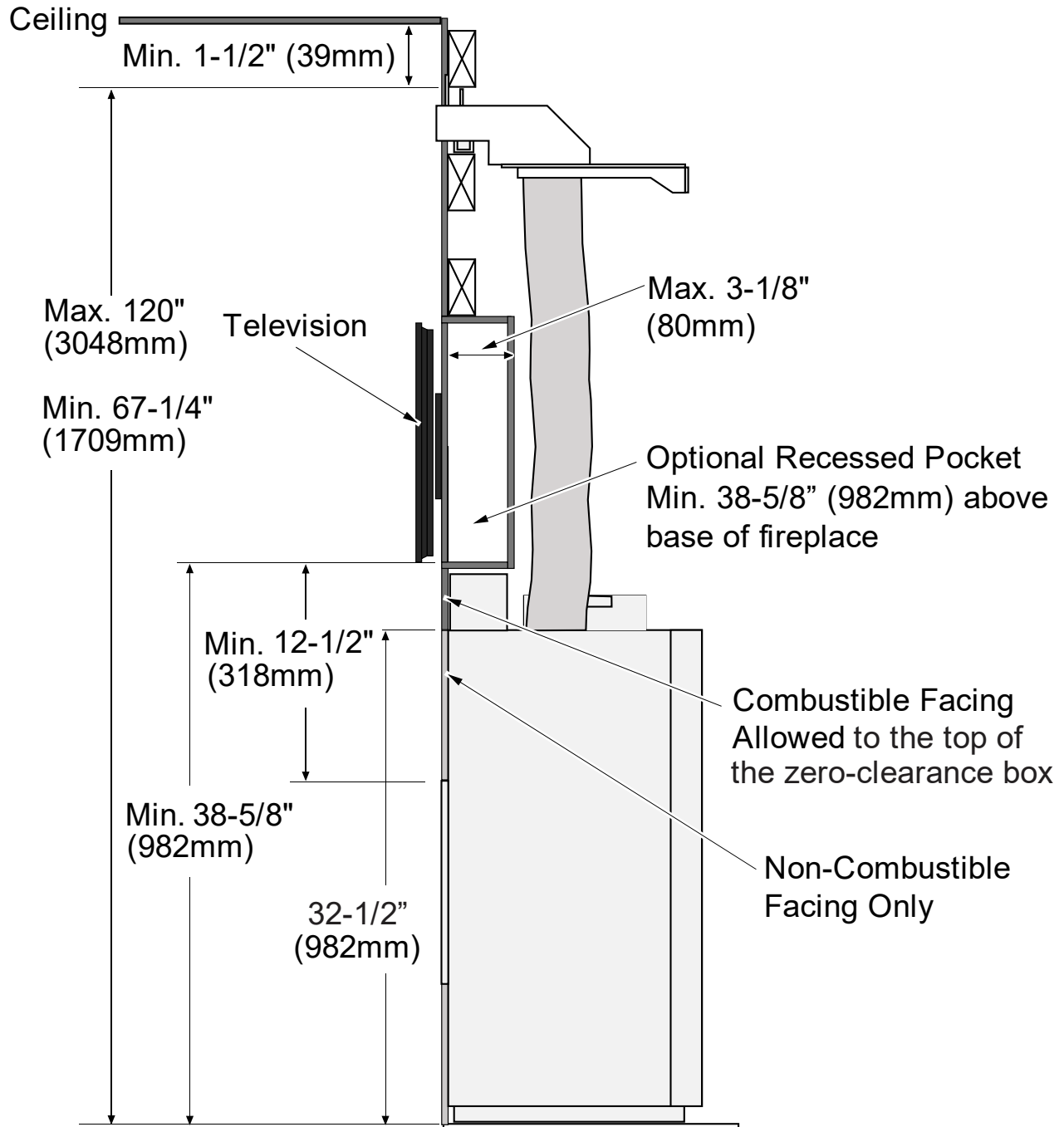
Linear Fireplace CoolSmart TV

(42PB - sku# 98900774)(54PB - sku# 98900775)(72PB & 6015 HO - sku# 98900776)

Overview – 6015 HO Linear

The CoolSmart system is designed to redirect the convective heat of the fireplace from the front of the unit, just above the glass, to a location higher on the wall. The use of this kit allows for reduced clearance to combustibles and accommodates TV installations closer to the fireplace or in recessed cavities above the fireplace.

When using this kit, disregard the framing dimensions in the manual and follow the framing instructions shown in this document. In addition, the use of this kit allows for combustible facing to be installed over non-combustible board over the front of the fireplace (see section Combustible “Over-Facing” section). All other installation requirements for the fireplace must be followed as detailed in the appliance installation manual.

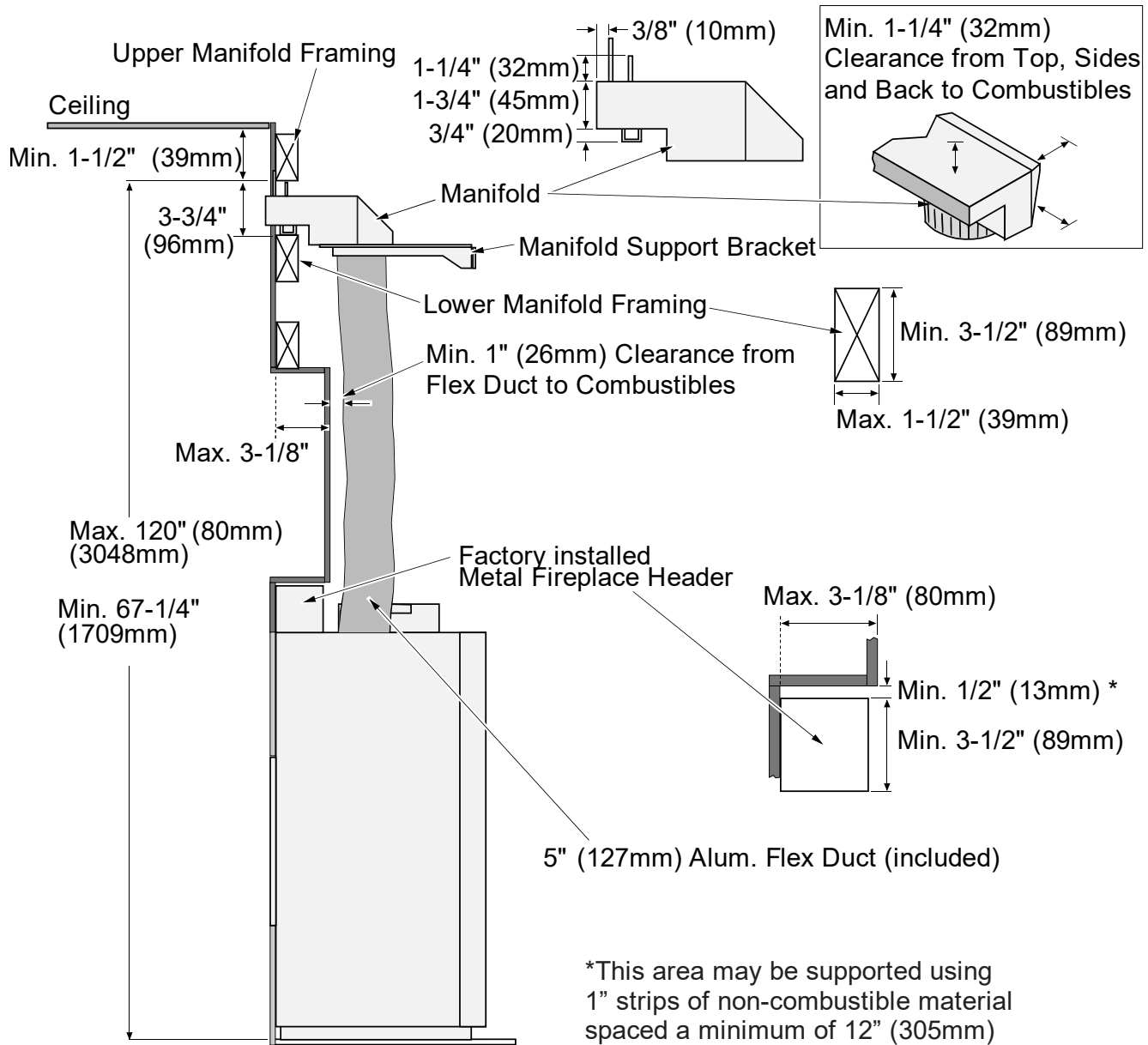




Linear Fireplace CoolSmart TV

(42PB - sku# 98900774)(54PB - sku# 98900775)(72PB & 6015 HO - sku# 98900776)

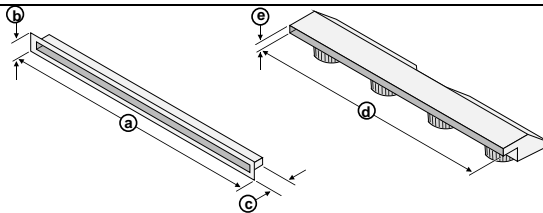
Installation Requirements – 6015 HO Linear



Grill and Manifold Dimensions

The grill may be installed over the facing to provide an aesthetic opening for the convection outlet. (2) 8-32 x 1-1/2" screws attach the trim to the upper manifold. This allows variable thickness of finish material.

Dimensions



a	b	c	d	e
75" (1905mm)	2-7/8" (74mm)	1-1/4" (32mm)	74" (1880mm)	1-3/4" (45mm)



Linear Fireplace CoolSmart TV

(42PB - sku# 98900774)(54PB - sku# 98900775)(72PB & 6015 HO - sku# 98900776)

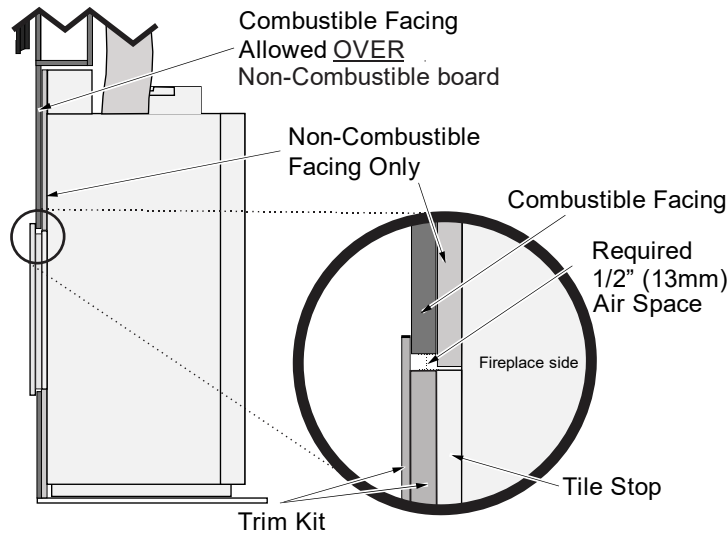
Combustible “Over-Facing” (Optional) – 6015 HO Linear ONLY

When using the CoolSmart TV kit, Combustible material can be installed over the front of the fireplace. **The combustible material MUST be installed over 1/2” non-combustible board.**

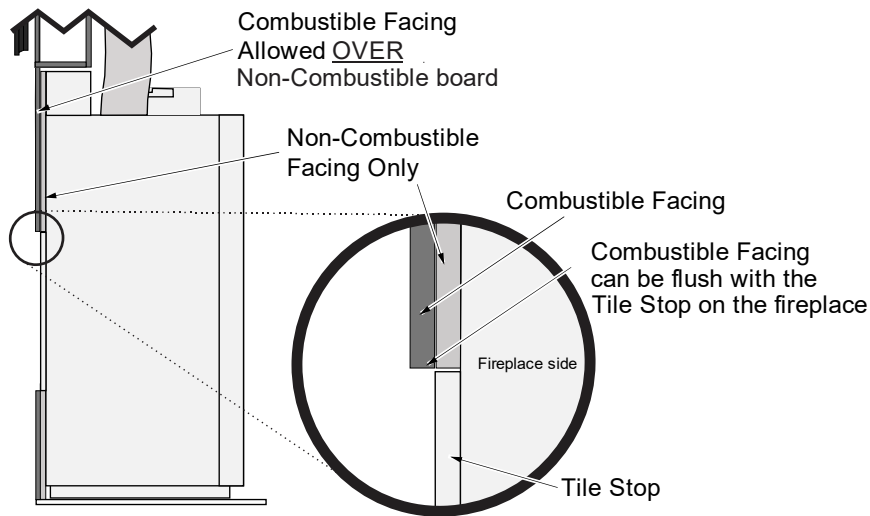
WARNING: If using a trim kit, a 1/2 “ air space is required from all four sides of the tile stop on the fireplace. If no trim is being used, the airspace is not required (see below for details).

NOTE: Trim kits accommodate facing between 1/2” and 1” in depth.

Over Facing WITH Trim Kit



Over Facing WITH OUT Trim Kit



WARNING: The front of the appliance is subject to high temperatures which may cause discoloration and/or material degradation. Take this into account when choosing finishing materials.



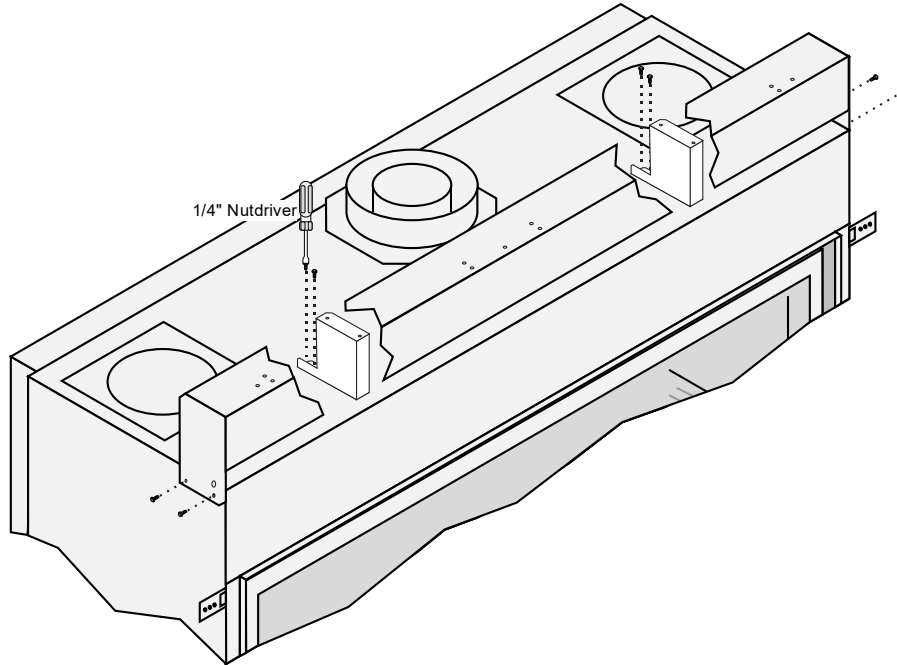
Linear Fireplace CoolSmart TV

(42PB - sku# 98900774)(54PB - sku# 98900775)(72PB & 6015 HO - sku# 98900776)

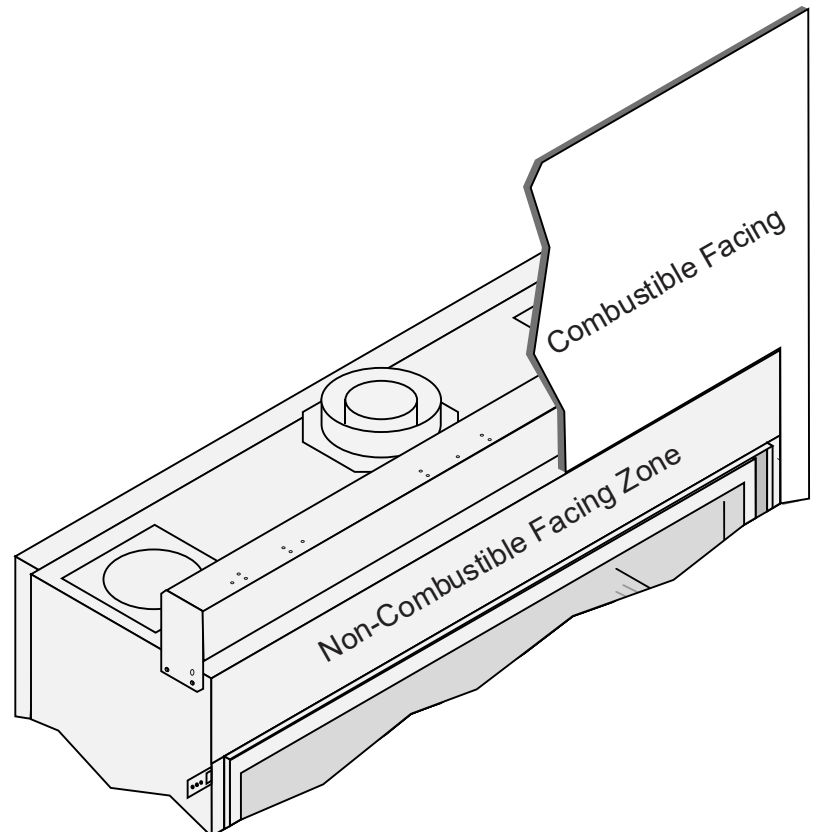
Flush Facing Header Configuration and Facing – 6015HO Linear

For installations where only non-combustible facing will cover the front of the appliance, the metal header can be moved back $\frac{1}{2}$ " to accommodate drywall installed flush with the front of the fireplace. The drywall can contact the top $\frac{1}{2}$ " of the fireplace top.

- Use a $\frac{1}{4}$ " nut driver to remove the (8) screws that secure the header assembly to the top of the fireplace
- Slide the header assembly back $\frac{1}{2}$ ".
- Align the header assembly with the second set of holes in the fireplace. Reattach the assembly to the fireplace (use the screws removed in the first step).



WARNING: For flush installations, combustible facing can touch the first $\frac{1}{2}$ " if the fireplace box. **ONLY NON-COMBUSTIBLE FACING** can cover the front of the appliance.

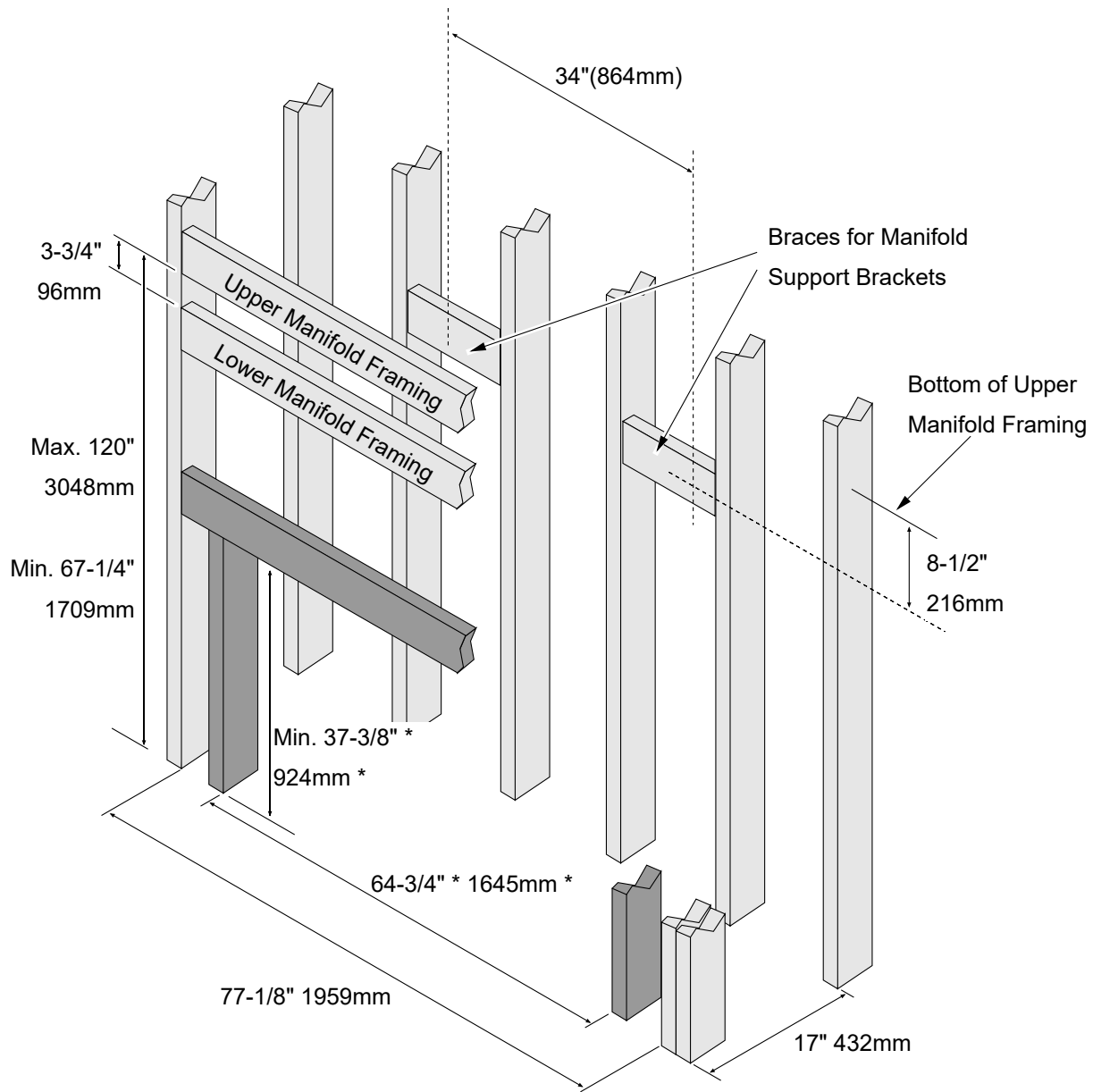




Linear Fireplace CoolSmart TV

(42PB - sku# 98900774)(54PB - sku# 98900775)(72PB & 6015 HO - sku# 98900776)

Framing the Chase - 6015 HO Linear



* The dark-shaded framing may be installed after the manifold is installed. It is used to provide support for the facing above the fireplace and nailing brackets.



Linear Fireplace CoolSmart TV

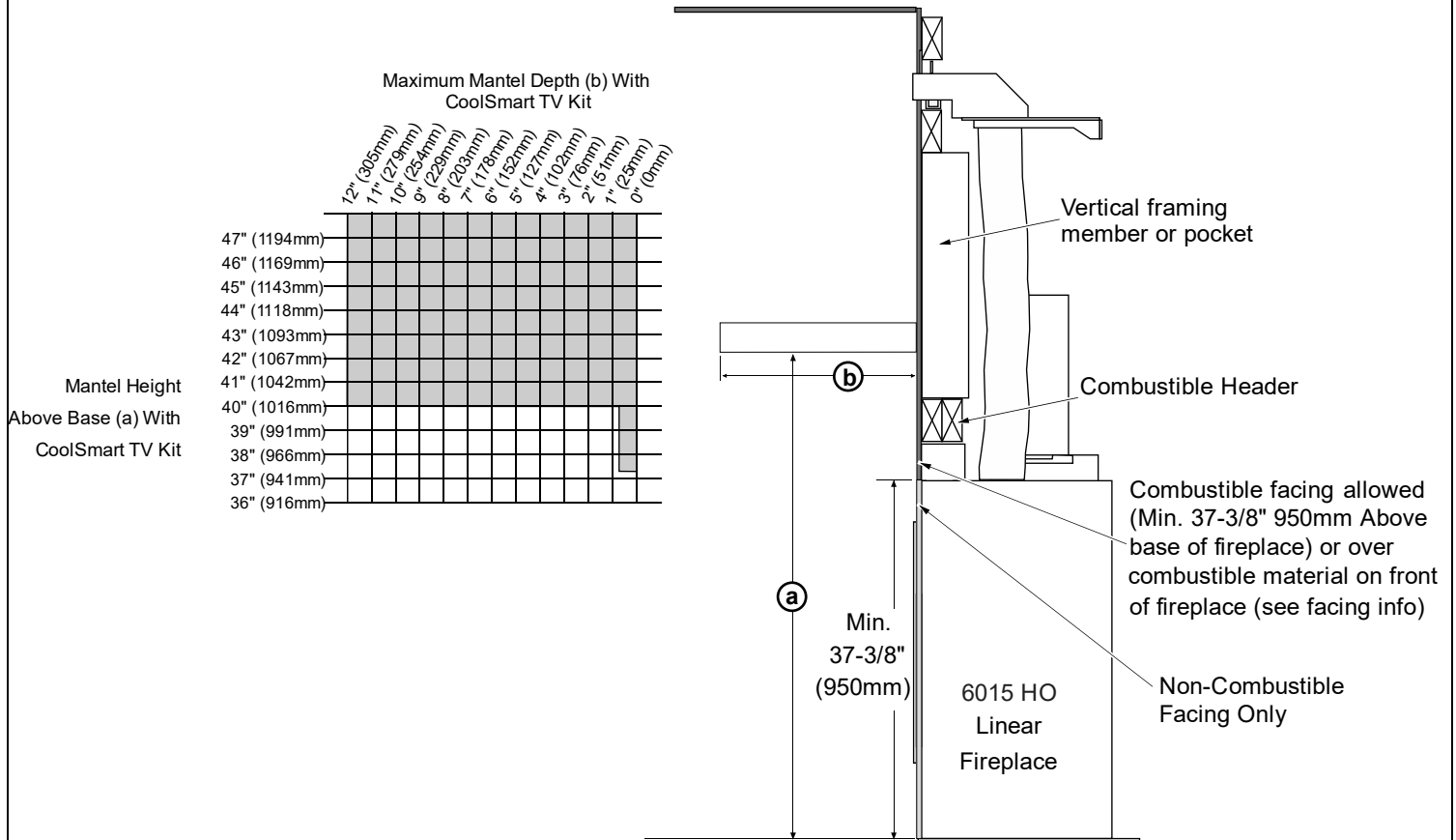
(42PB - sku# 98900774)(54PB - sku# 98900775)(72PB & 6015 HO - sku# 98900776)

Mantel Clearances 6015 HO CoolSmart TV

When using this kit, disregard the combustible mantel requirements in the manual and follow the requirements shown to the below.

If you wish to place a TV above the mantel, it must meet the following requirements:

- Minimum 1" air gap behind TV to wall.
- The mantel must extend 2" in front of the TV and 1" to both sides.



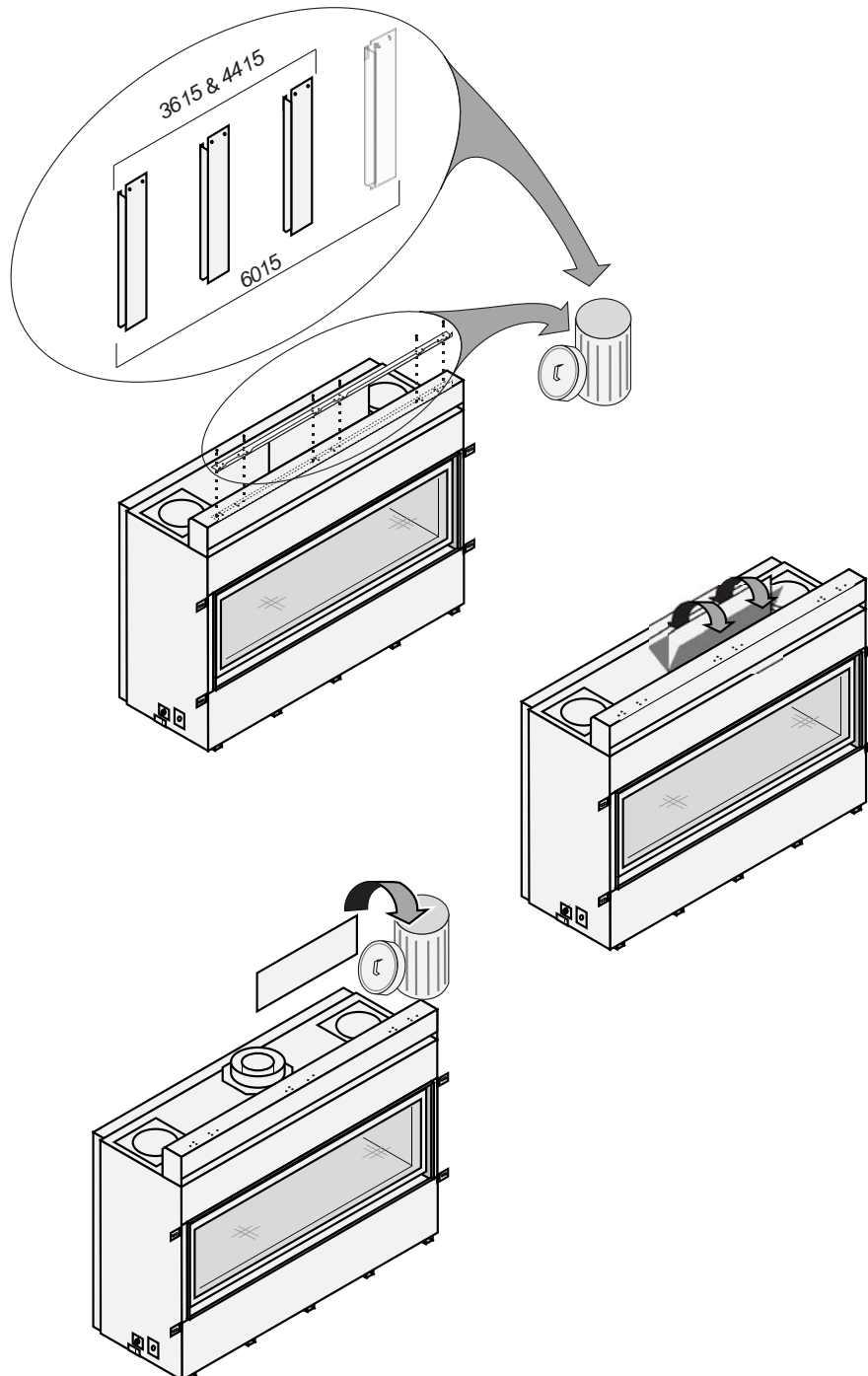


Linear Fireplace CoolSmart TV

(42PB - sku# 98900774)(54PB - sku# 98900775)(72PB & 6015 HO - sku# 98900776)

Fireplace Preparation– 6015 HO Linear

- When using the CoolSmart TV kit, you may discard the metal framing members included with the fireplace (3615 and 4415 have (3) and 6015 has (4)).
- Remove the screws that secure the sheetrock backer (“L” shaped metal bracket secured to the metal header of the unit) and discard the backer (see first illustration below). Bend the pipe heat shield back and forth until it snaps off of the metal header. Discard the heat shield (see middle and right illustrations below).





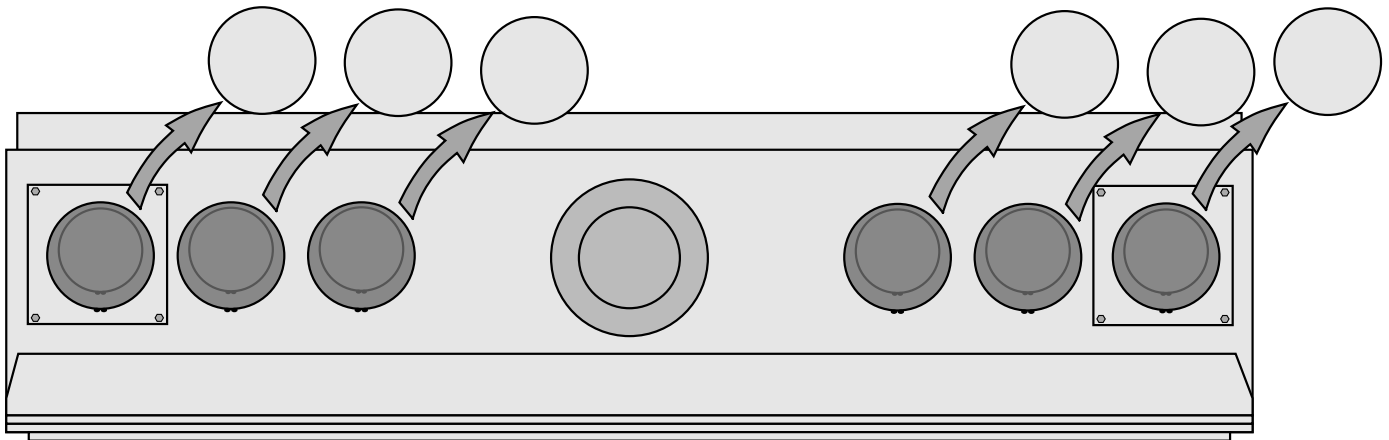
Linear Fireplace CoolSmart TV

(42PB - sku# 98900774)(54PB - sku# 98900775)(72PB & 6015 HO - sku# 98900776)

Knockout Removal

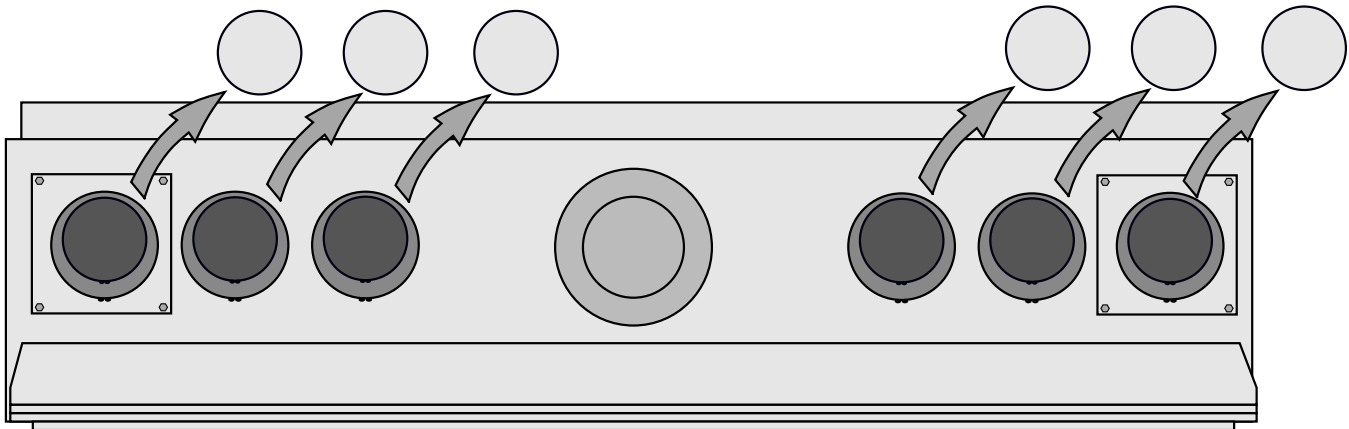
CoolSmart TV Knockouts

Remove all 6 of the 5" knockouts (leave the square cover plates in place). The knockouts below will also be removed (see instructions).



Inner Knockouts

Remove the 6 inner knockouts as well.



- 1 Use snips or diagonal cutters to snip the tab on the knockouts. Press on the far side away from the tap to pop the edge of the knockout up.

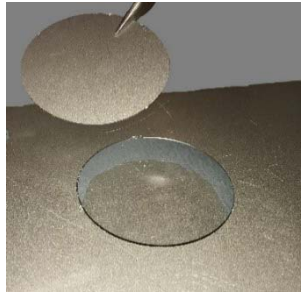




Linear Fireplace CoolSmart TV

(42PB - sku# 98900774)(54PB - sku# 98900775)(72PB & 6015 HO - sku# 98900776)

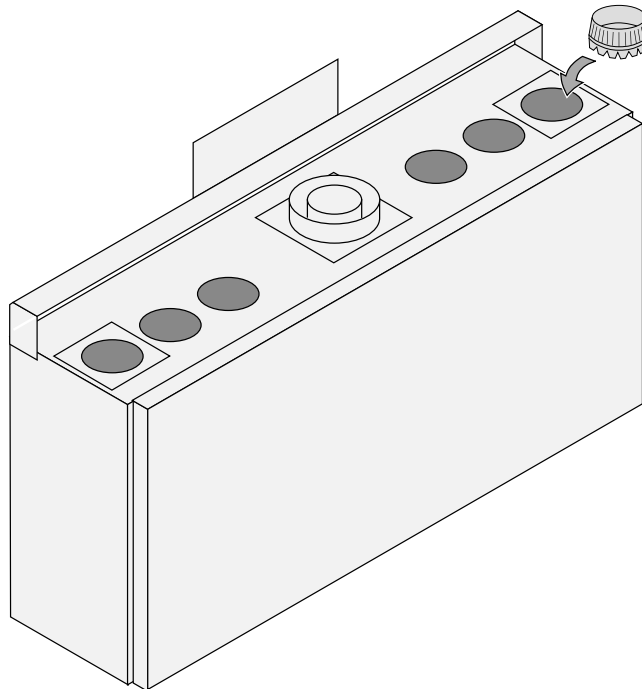
- Grab on to the knockout with pliers and bend it back and forth until the remaining tabs break free. Discard the knock out plate.



- Under each knock out plate on the outer layer of the fireplace, you will find a second knockout. Remove the inner knockout using the same method. You may discard the knockout plates.

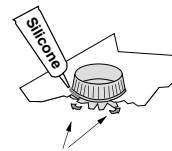


- Insert a starter collar into each of the holes that were uncovered in the previous step and bend the tabs to secure the starter collar to the fireplace.. Seal the joints with silicone caulk or aluminum (U.L. 181A-P) tape



Starter Collar

Use silicone to seal the starter collar to the top of the fireplace.



Bend the tabs on the bottom of the starter collar up to lock it in place.

- Install the fireplace into the framed chase. See section "Installation" in the manual.

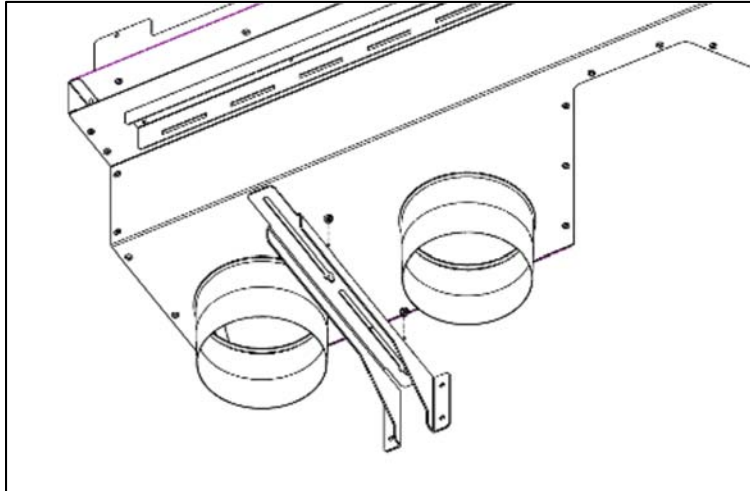


Linear Fireplace CoolSmart TV

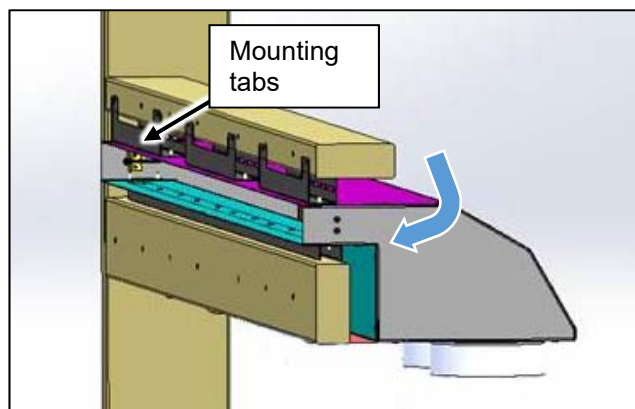
(42PB - sku# 98900774)(54PB - sku# 98900775)(72PB & 6015 HO - sku# 98900776)

CoolSmart TV Kit Installation (ProBuilder & 6015HO)

- 1 Remove the grill from the manifold (2 screws hold it in place).
- 2 Remove the rear-mounting brackets by loosening 1/4" screws and sliding it out of the keyhole slots.



- 3 Determine the desired location of the bottom of the convection air outlet. Install a horizontal framing member at the desired height, parallel to the header. Install a second horizontal framing member 3-3/4" above the first. These two framing members will support the upper convection manifold in the following steps.
- 4 Hold the upper convection manifold with the outlet facing the back of the framing members installed in the previous step. Tilt the outlet of the manifold downward until the outlet of the manifold and the two mounting tabs can fit between to two framing members. Slide the outlet into the gap and allow it to sit level again. The two mounting tabs will support the manifold.

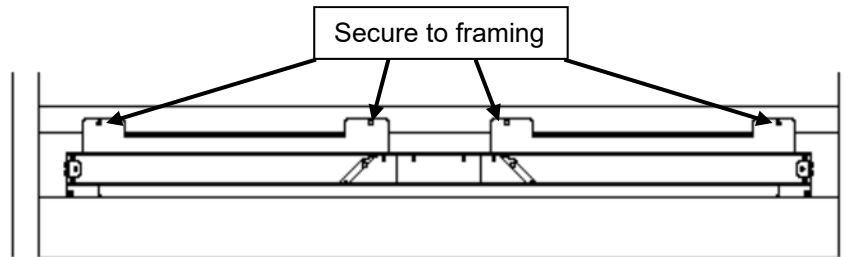




Linear Fireplace CoolSmart TV

(42PB - sku# 98900774)(54PB - sku# 98900775)(72PB & 6015 HO - sku# 98900776)

- Secure the manifold to the upper framing using screws (not included).



- Re-attach the two rear mounting brackets (removed in step 6) to the bottom of the convection manifold. Leave the screws loose so the brackets can be positioned to the back of the chase. Secure the brackets to the chase using screws (not included). Tighten the screws securing the brackets to the manifold.



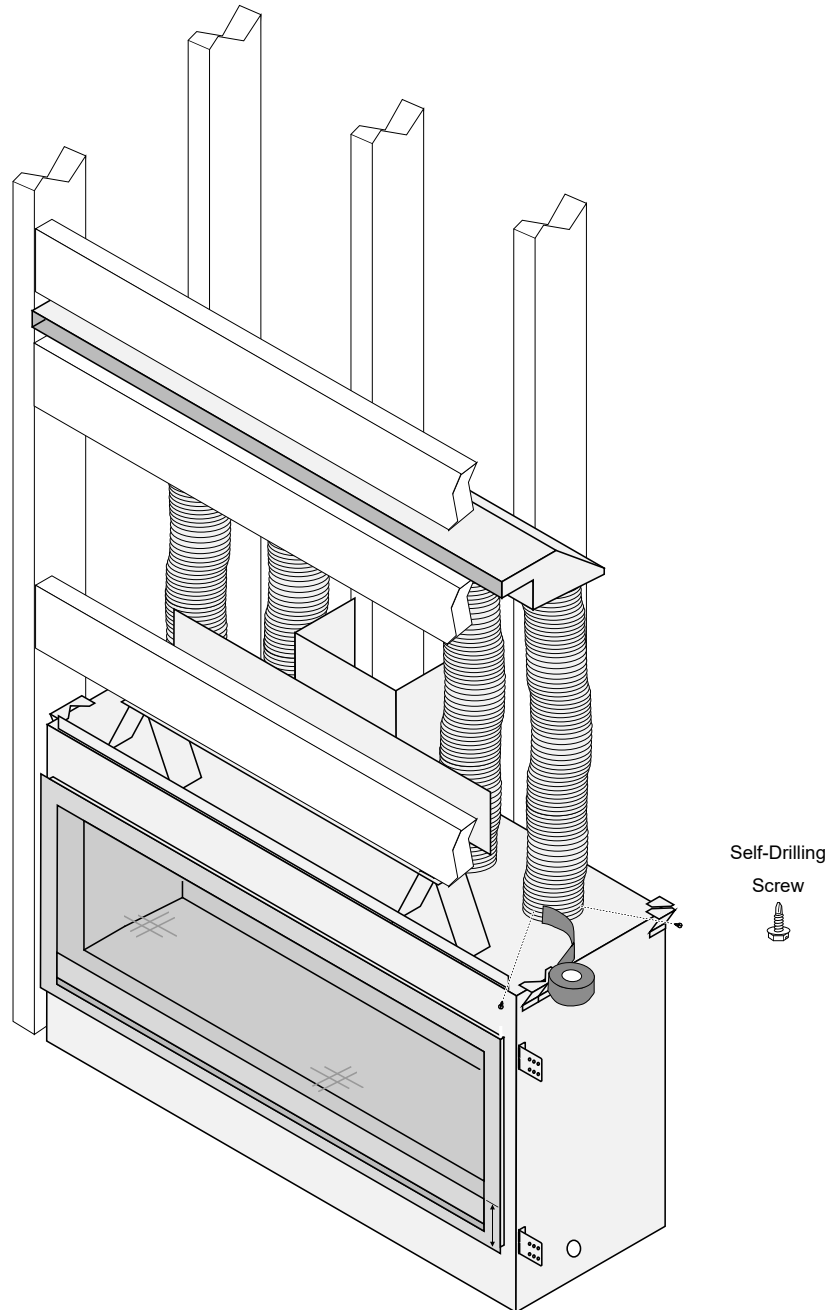
- Remove the knockouts from the top of the fireplace (4 on the 42PB & 54PB, 6 on the 72PB & 6015HO)



Linear Fireplace CoolSmart TV

(42PB - sku# 98900774)(54PB - sku# 98900775)(72PB & 6015 HO - sku# 98900776)

- 8 Stretch the included flex to its maximum length. Measure the distance between the starter collars on the fireplace and the inlets on the convection manifold. Cut the flex to the appropriate length and install between the fireplace and the manifold. Secure using (3) screws at every connection and seal the joints with silicone caulk or aluminum (U.L. 181A-P) tape.



- 9 Cover the face of the fireplace and the outlet of the manifold to ensure no construction debris or sheetrock dust enters the unit.
- 10 Once all finish work is complete around the outlet of the manifold, install the outlet grill assembly using the two included screws (one at each end). The grill assembly will overlap finish material up to 1-1/2" thick. See fireplace installation manual for finishing details.

NOTE: The manifold opening protrudes 7/16" proud of the framing. The wall may be finished to the opening if you do not wish to use the grill trim.