

ProBuilder Series™ 42 Clean Face Gas Fireplace



The ProBuilder 42 Deluxe is shown with the Classic Brick Fireback and Birch Log Set.

Grand Appeal

The ProBuilder 42 Clean Face is the largest model in our ProBuilder Clean Face Series. The ProBuilder 42 Clean Face offers more features and benefits than any other large value-priced fireplace in its class, with a beautiful flame presentation and amazing accessories. These three sleek "clean face" models replicate the look of a traditional masonry fireplace with very little metal around the fire viewing glass.



www.fireplacex.com

ProBuilder 42 Clean Face MV & GSB Models

MV & GSB Log Set



ProBuilder 42 Clean Face MV

No power required to install and operate.

Standard Features

- Millivolt Continuous Pilot with Piezo Igniter
- No Power Required - Batteries are required with optional remote. 110 V power is required with optional Fan or Ember-Glo™.
- ON/OFF Wall Switch
- Classic 8 Piece Log Set
- Easy Access to Controls
- 14-18 Heavy gauge steel construction.

ProBuilder 42 Clean Face GSB

Features an economical electronic ignition system.

Standard Features

- Continuous Pilot or Basic GreenSmart® Ignition Modes
- 110 V Power Required, Built-in Automatic Battery Backup
- ON/OFF Wall Switch
- Classic 8 Piece Log Set
- Easy Access to Controls
- 14-18 Heavy gauge steel construction.

MV



Access controls are below fire viewing glass. Contains Pilot Control, Flame Height Adjustment, Piezo Igniter and Burner ON/OFF.

GSB



Access controls are below fire viewing glass. Contains Flame Height Adjustment, Choice of Continuous Pilot Mode or GreenSmart® Ignition Mode and Burner ON/OFF.

Optional Accessories for ProBuilder Clean Face MV & GSB Models

Basic GreenSmart® Wireless Thermostat Remote Control



Manual Setting
ON/OFF controls.

Thermostat Setting
Fireplace turns ON/OFF to maintain your desired home/room temperature.

Convection Fan

Variable speed 180 CFM* fan helps increase the natural convection of heated air into the room as it circulates around the firebox and glass frame. The fan speed is manually controlled by a rheostat dial. * Cubic Feet Per Minute

Wired Wall Timer

The wired wall timer allows you to set the shut off time of your fireplace in 30 minute increments with a two hour maximum time limit. Ideal for rentals, apartments, and commercial applications.

Ember-Glo™

Ember-Glo™ combines adjustable halogen under-lighting with colored glass and embers to provide an amazingly realistic ember bed effect. ON/OFF and brightness are controlled manually with a rheostat dial.



ProBuilder 42 Clean Face Deluxe

Includes a combination of incredible exclusive features.

Deluxe Log Set Options



High Definition 10 Piece
Classic Oak Log Set



High Definition 10 Piece
Birch Log Set

Standard Features

- Continuous Pilot or GreenSmart® Ignition Modes
- 110 V Power Required, Built-in Automatic Battery Backup
- All Functions Are Controlled From the GreenSmart® Remote
- Choice of Two 10 Piece High Definition Log Sets
- Ember-Glo™ Halogen Under-lit Accent Lighting
- 180 CFM Variable Speed Convection Fan

GreenSmart® Multi-Function Wireless Thermostat Remote Control (Included)



- Thermostat and Smart Thermostat Modes
- Flame Adjustment (6 Levels)
- Change Between GreenSmart® and Continuous Pilot Modes
- Fan Operation
- Ember-Glo™ ON/OFF
- Comfort Control™ ON/OFF

GreenSmart® Multi-Function Controls



Manual Setting
ON/OFF and all other features.

Thermostat Setting
Fireplace turns ON or OFF to maintain your desired home/room temperature.

Smart Thermostat Setting
Fire height will adjust automatically (up, down or OFF) to maintain your temperature while allowing you to view the fire more often. A greener way to heat.



Flame Adjustment
Adjust the height/heat of the flame.
6 levels of flame heights to choose from in manual mode.



Ember-Glo™
Ember-Glo™ combines adjustable halogen under-lighting with colored glass and embers to provide an amazingly realistic ember bed effect. Brightness is controlled manually with a rheostat dial. The remote control operates the ON/OFF function.



Comfort Control™
Turn off the back burner to lower the BTU input (up to 70%). This allows you to burn less gas on mild days when you want to enjoy a fire and not heat your living area.



Convection Fan
Circulate room air around the firebox and deliver heated air into your home.
Six speeds to choose from.



ProBuilder Series™ 42 Clean Face Gas Fireplace

Universal Options (for all models)

Fireback Options



Classic Brick Fireback



Black Glass Fireback

Custom Shop Mantels



Cast Polished Gray Mantels



Cast Cedar Mantels



Hand-Hewn Timber
Legs and Mantels

SPECIFICATIONS

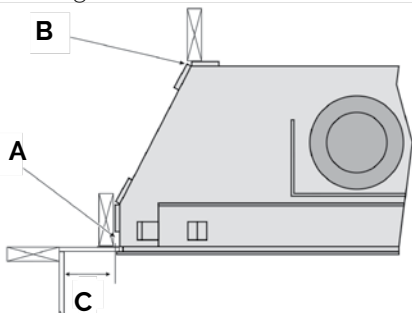
- Heating Capacity: Up to 1,750 Sq. Ft. will vary with floor plan, insulation, and outside temperature
- BTU/Hr Input:
 - MV: 18,000 to 35,000 NG, 50% turndown
17,500 to 35,000 LP, 50% turndown
 - GSB: 18,000 to 35,000 NG, 50% turndown
17,500 to 35,000 LP, 50% turndown
 - Deluxe: 8,000 to 35,000 NG, 70% turndown
7,500 to 35,000 LP, 70% turndown
- Tempered Glass, Viewing Area: 38-3/4" W x 33-1/4"

- P4 Efficiency:
 - MV: 68.53% NG, 69.51% LP
 - GSB: 69.21% NG, 70.19% LP
 - Deluxe: 70.11% NG, 71.34% LP
- Steady State Efficiency:
 - MV: Up to 68.40%, NG 69.50% LP
 - GSB: Up to 68.40%, NG 69.50% LP
 - Deluxe: Up to 67.90% NG, 70.20% LP
- Weight: 240 lbs. (109 kg).

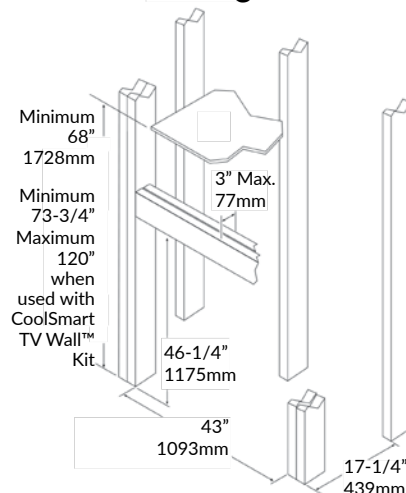
INSTALLATION

Clearances

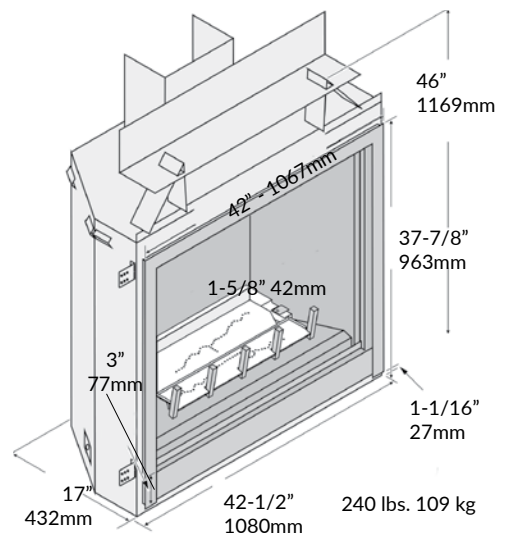
- (A) To Side of Fireplace 1/2" (13mm).
- (B) To Back of Fireplace 1/2" (13mm).
- (C) 0" clearance to combustible side facing or walls.



Minimum Framing



DIMENSIONS



www.fireplacex.com

Manufactured By
Travis Industries, Inc.
Mukilteo, WA

FireplaceX Gas Fireplaces are protected by one or more of the following patents; U.S. 8,469,021, 7,066,170, 6,602,068, 6,443,726, 6,953,037; Canada 2755517 as well as other U.S. and Foreign Patents pending.

